



Joint brake


**WEIGHT  
CAPACITY**  
**60 Kg**

**RADIUS**  
**3400 mm**

**PRESSURE**  
**0.7-0.8 Mpa**

**VERTICAL LIFT**  
**1700 mm**

**VERSIONS**  
 COLUMN  
 FIXED  
 OVERHEAD  
 RUNNING  
 OVERHEAD

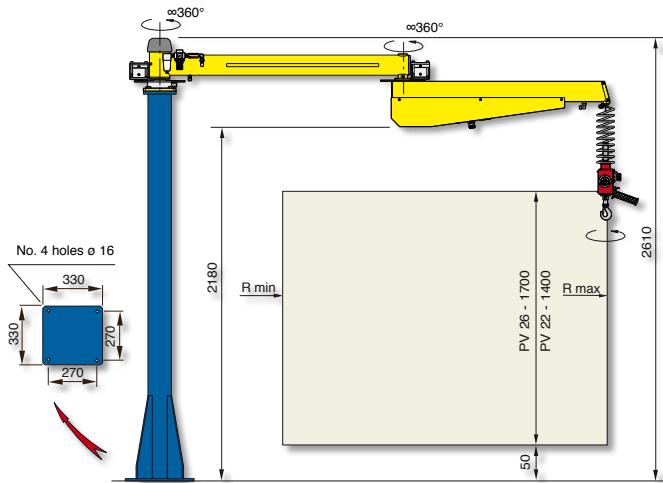
Pneumatic Manipulator **POSIVEL PV** with double cable

POSIVEL PV, generally realized with hook, can be equipped with simple gripping tools to allow the handling of light loads in a weightless condition in any direction.

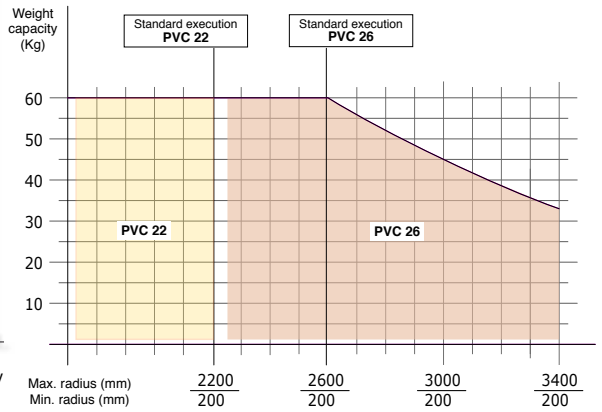
The particular double arm structure and medium joint makes it easy to handle and precise throughout the working area.

# POSIVEL® - PV22 PV26

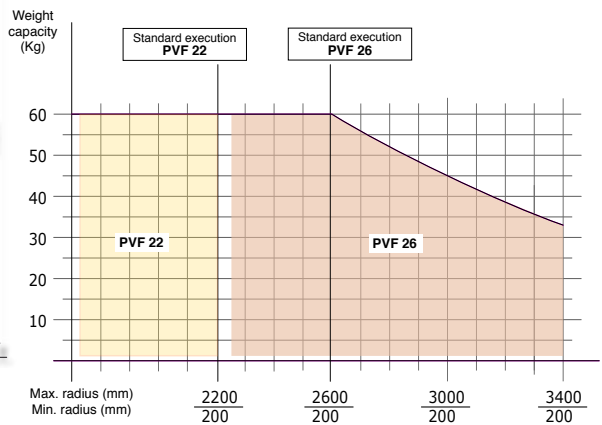
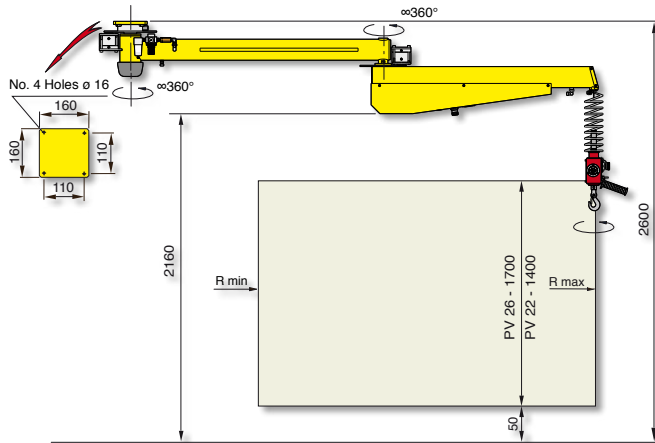
## Posivel column mounted - PVC



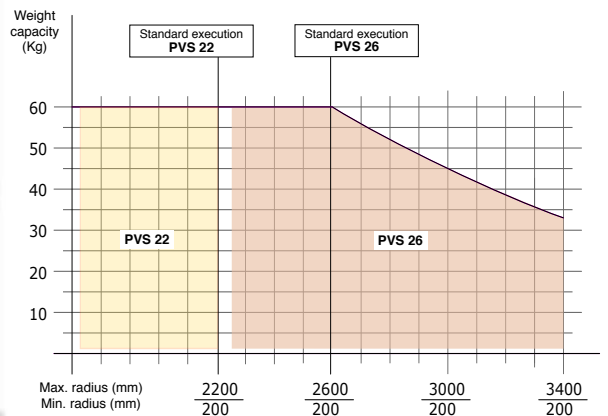
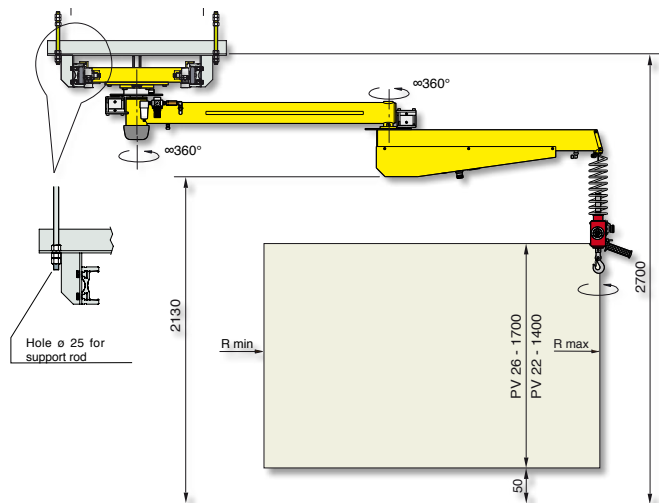
Structural versions: column mounted on fixed base-plate, autostable base-plate of our supply properly dimensioned.



## Posivel overhead mounted - PVF



## Posivel overhead trolley mounted - PVS



Air supply: Dry and oil-free compressed air min constant 0.7±0.8 MPa