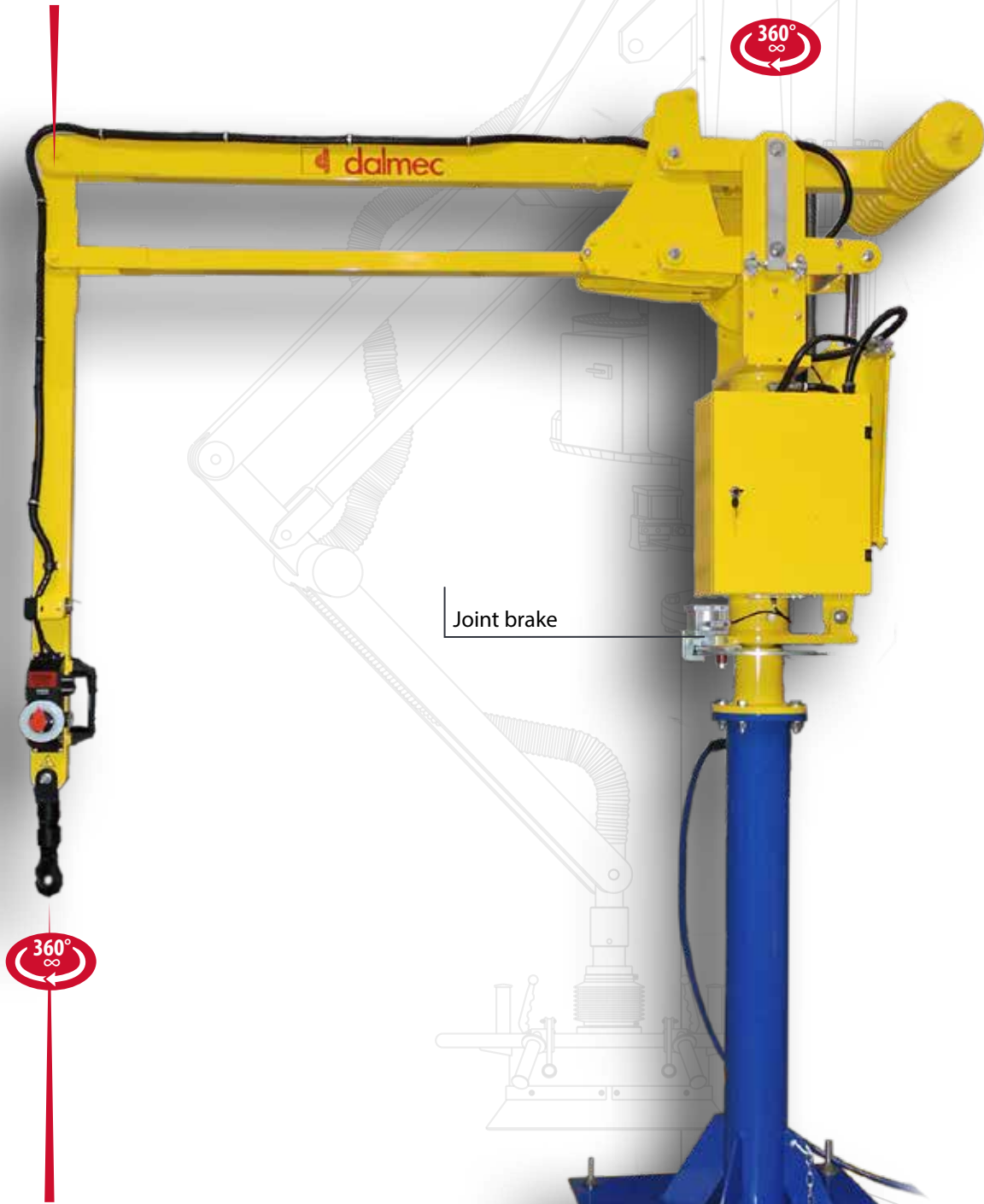




## Industrial Manipulators



WEIGHT  
CAPACITY  
**300 Kg**



RADIUS  
**2900 mm**



PRESSURE  
**0.7-0.8 Mpa**



VERTICAL LIFT  
**1900 mm**



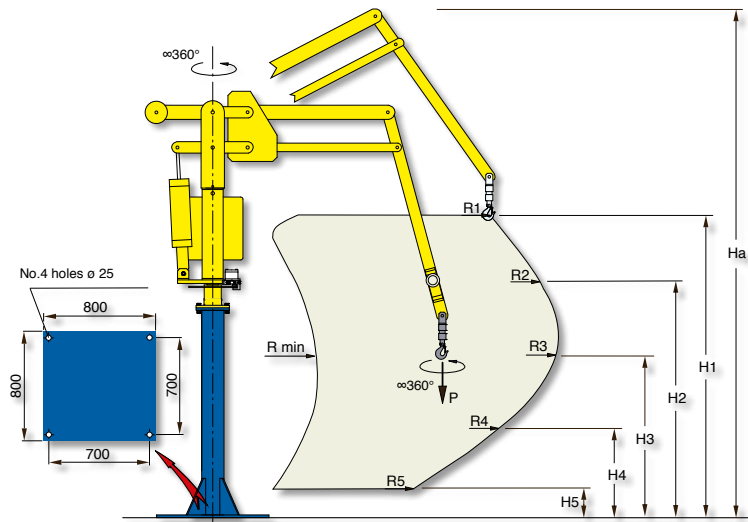
VERSIONS  
COLUMN  
FIXED  
OVERHEAD  
RUNNING  
OVERHEAD

Pneumatic Manipulator **PARTNER PS** with rigid arms

PARTNER PS is a good working assistant for the operator who can work quickly, with precision and without any effort, in excellent ergonomic and safety conditions.

# PARTNER<sup>®</sup> - PS

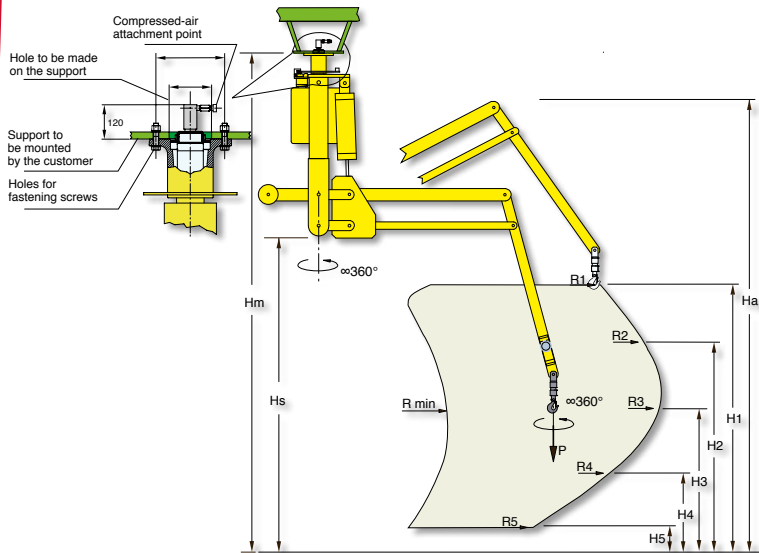
## Partner PS column mounted - PSC



Structural versions: column mounted on fixed base-plate, autostable base-plate of our supply properly dimensioned or with autostable motorised trolley that translates on a simple profile track on the floor.

PARTNER PS column mounted - PSC -					
		Normal	Extended	Reinforced	
Max weight capacity (P)		Kg 100	Kg 100	Kg 100	Kg 300
		Kg 150	Kg 150	Kg 150	
		Kg 200	Kg 200	Kg 200	
		Kg 250	Kg 200	Kg 150	
Ha	mm	3700	3800	4050	3500
R min	mm	600	800	1000	700
R1	mm	1900	2100	2650	2200
R2	mm	2200	2500	2900	2250
R3 max	mm	2200	2500	2900	2250
R4	mm	1800	2200	2550	2050
R5	mm	1300	1800	2150	1600
H1	mm	1900	2000	2000	1750
H2	mm	1500	1500	1500	1370
H3	mm	1000	1000	1000	950
H4	mm	500	500	500	550
H5	mm	150	100	100	150
Air supply		Dry and oil-free compressed air min constant 0.7÷0.8 MPa			

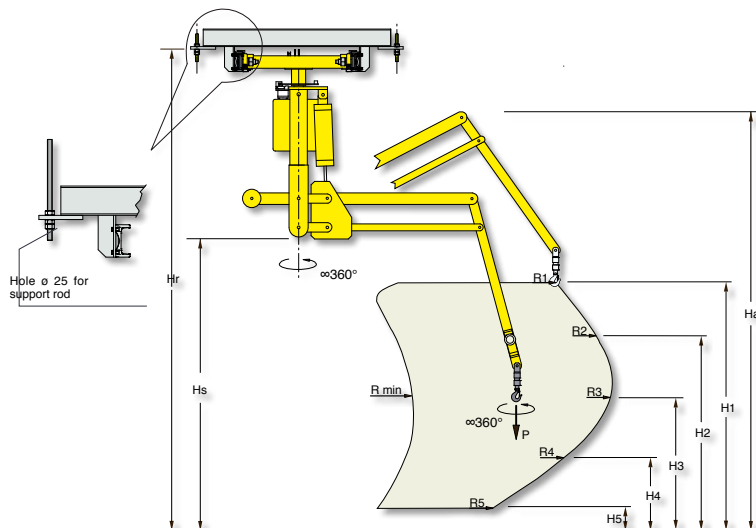
## Partner PS overhead mounted - PSF



PARTNER PS overhead mounted - PSF -					
		Normal	Extended	Reinforced	
Max weight capacity (P)		Kg 100	Kg 100	Kg 100	Kg 300
		Kg 150	Kg 150	Kg 150	
		Kg 200	Kg 200	Kg 200	
		Kg 250	Kg 200	Kg 150	
Ha	mm	3700	3800	4050	3500
Hm	mm	3850	3850	4100	4080
Hs	mm	2350	2350	2600	2200
R min	mm	600	800	1000	700
R1	mm	1900	2100	2650	2200
R2	mm	2200	2500	2900	2250
R3 max	mm	2200	2500	2900	2250
R4	mm	1800	2200	2550	2050
R5	mm	1300	1800	2150	1600
H1	mm	1900	2000	2000	1750
H2	mm	1500	1500	1500	1370
H3	mm	1000	1000	1000	950
H4	mm	500	500	500	550
H5	mm	150	100	100	150
Air supply		Dry and oil-free compressed air min constant 0.7÷0.8 MPa			

Configuration and measurements may change upon the Customer's specific requirements

## Partner PS overhead trolley mounted - PSS



PARTNER PS overhead trolley mounted - PSS -					
		Normal	Extended	Reinforced	
Max weight capacity (P)		Kg 100	Kg 100	Kg 100	Kg 300
		Kg 150	Kg 150	Kg 150	
		Kg 200	Kg 200	Kg 200	
		Kg 250	Kg 200	Kg 150	
Ha	mm	3700	3800	4050	3500
Hr	mm	4200	4200	4450	4420
Hs	mm	2350	2350	2600	2200
R min	mm	600	800	1000	700
R1	mm	1900	2100	2650	2200
R2	mm	2200	2500	2900	2250
R3 max	mm	2200	2500	2900	2250
R4	mm	1800	2200	2550	2050
R5	mm	1300	1800	2150	1600
H1	mm	1900	2000	2000	1750
H2	mm	1500	1500	1500	1370
H3	mm	1000	1000	1000	950
H4	mm	500	500	500	550
H5	mm	150	100	100	150
Air supply		Dry and oil-free compressed air min constant 0.7÷0.8 MPa			