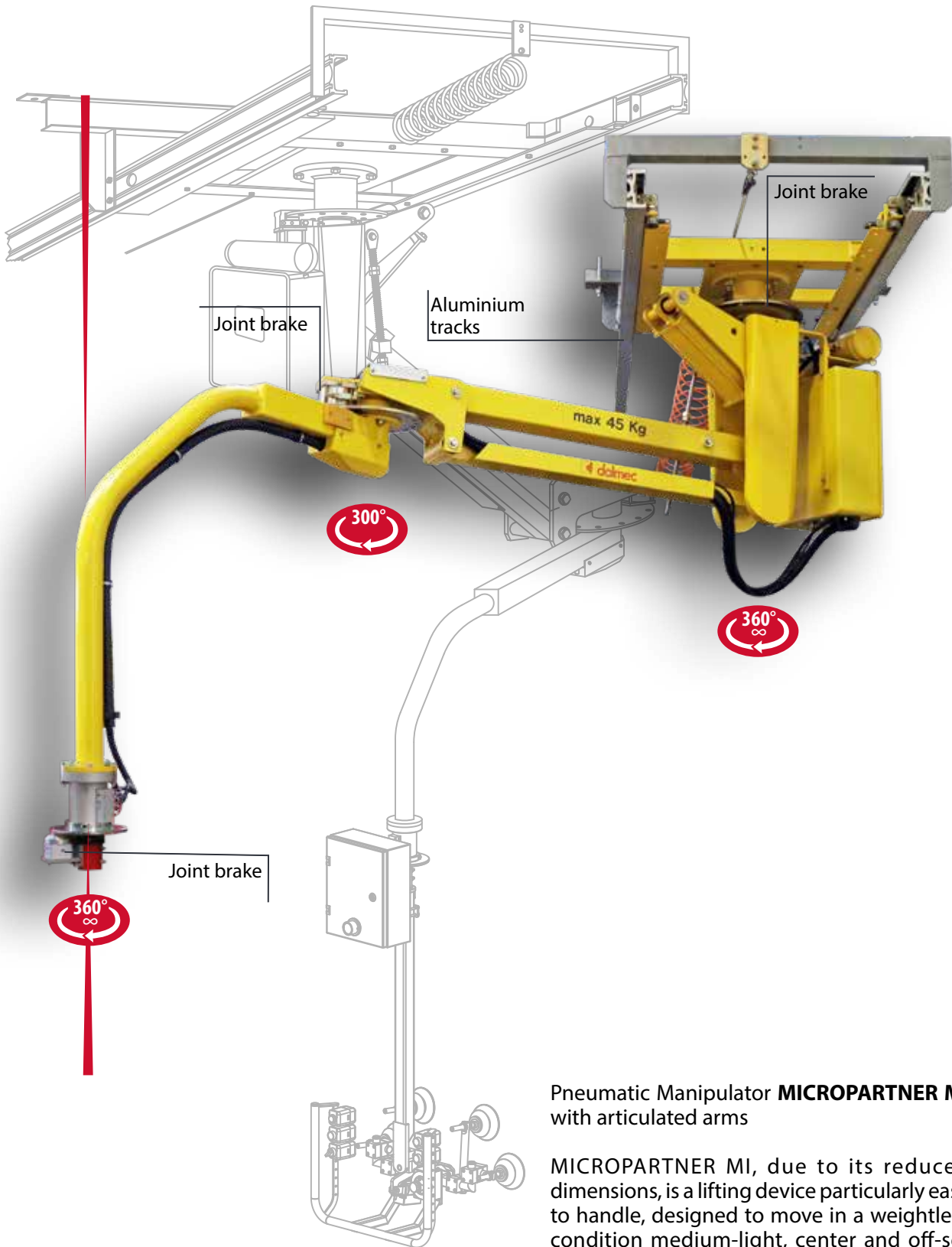




Industrial Manipulators



WEIGHT CAPACITY
125 Kg



RADIUS
2800 mm



PRESSURE
0.7-0.8 Mpa



LOAD OFF-SET

VERTICAL LIFT
1400 mm

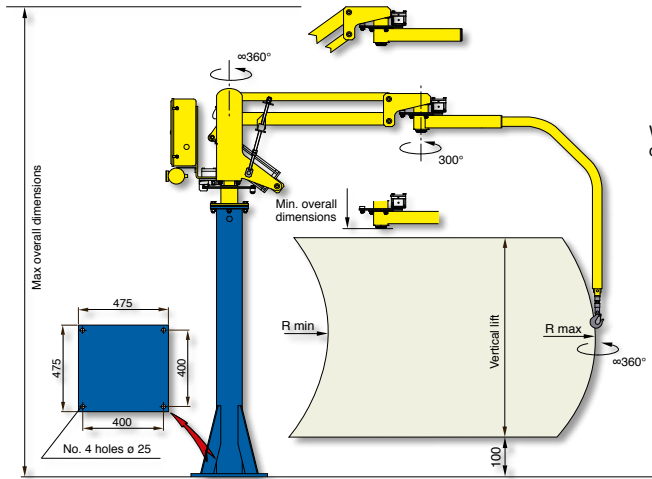
VERSIONS
COLUMN
FIXED OVERHEAD
RUNNING OVERHEAD

Pneumatic Manipulator **MICROPARTNER MI** with articulated arms

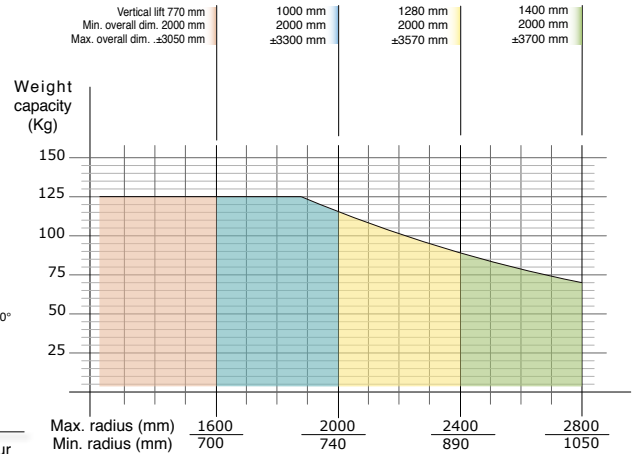
MICROPARTNER MI, due to its reduced dimensions, is a lifting device particularly easy to handle, designed to move in a weightless condition medium-light, center and off-set loads in any direction.

MICROPARTNER[®] - MI

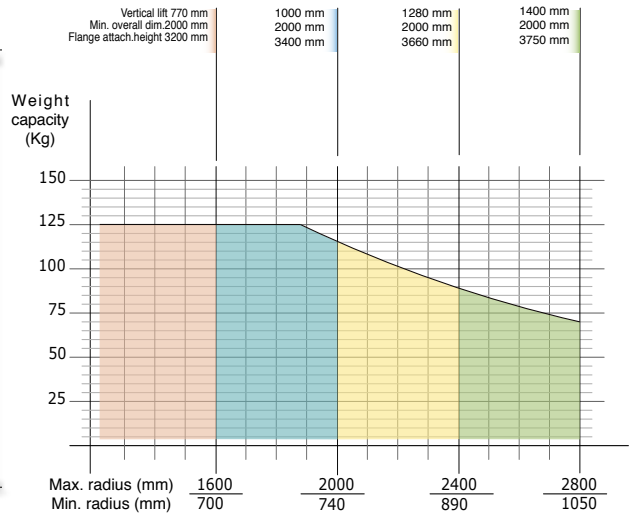
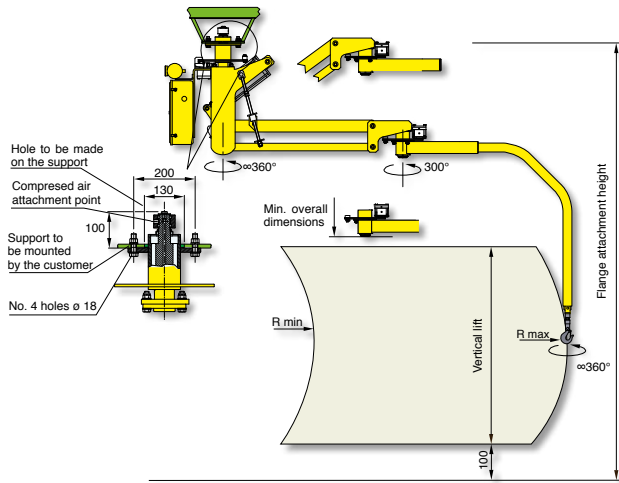
Micropartner column mounted - MIC



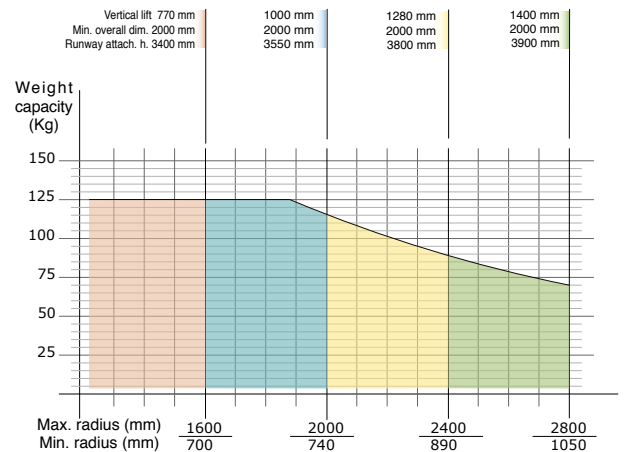
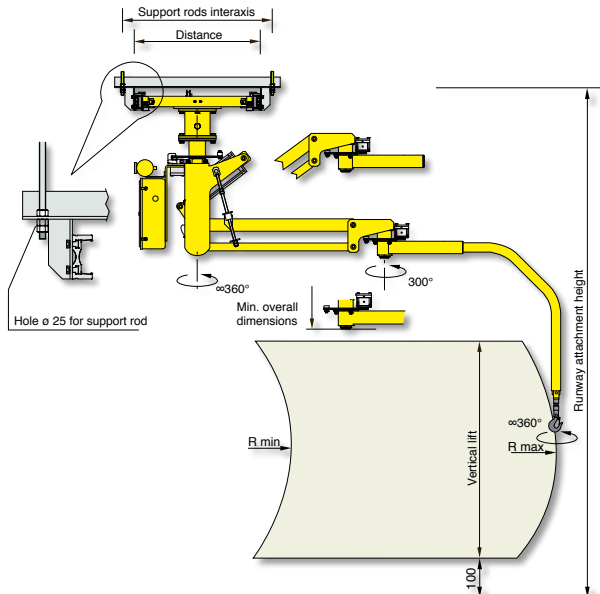
Structural versions: column mounted on fixed base-plate, autostable base-plate of our supply properly dimensioned or with autostable motorised trolley that translates on a simple profile track located on the floor.



Micropartner overhead mounted - MIF



Micropartner overhead trolley mounted - MIS



Air supply: Dry and oil-free compressed air min constant 0.7-0.8 MPa